

SAGA 150

helaform®

Assembly instructions

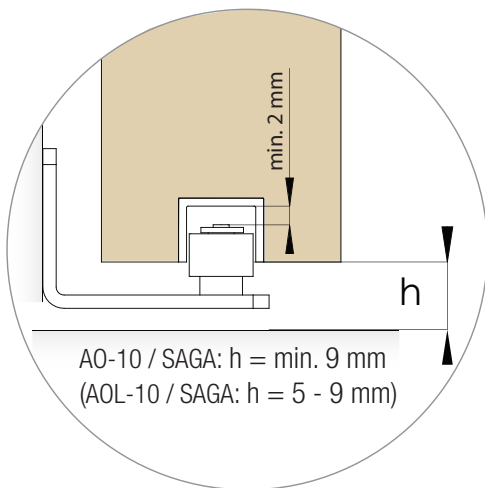
1 Measure the height of the door

2 Mark a horizontal line for the outermost wall bracket on the closed end at height $H + 75 \text{ mm} + (20 \text{ mm. Cap between door and floor})$

(Note! with LHP-150 low headroom plate a and floor fixed bottom guide horizontal line is $H + 63 \text{ mm}$. (With this dimension, the distance between the track and the door is 4 mm, and the distance between the floor and the door is 8 mm.)

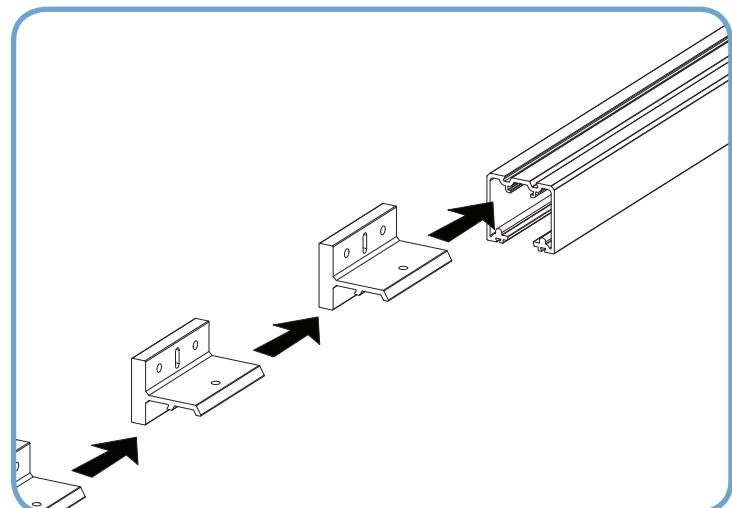
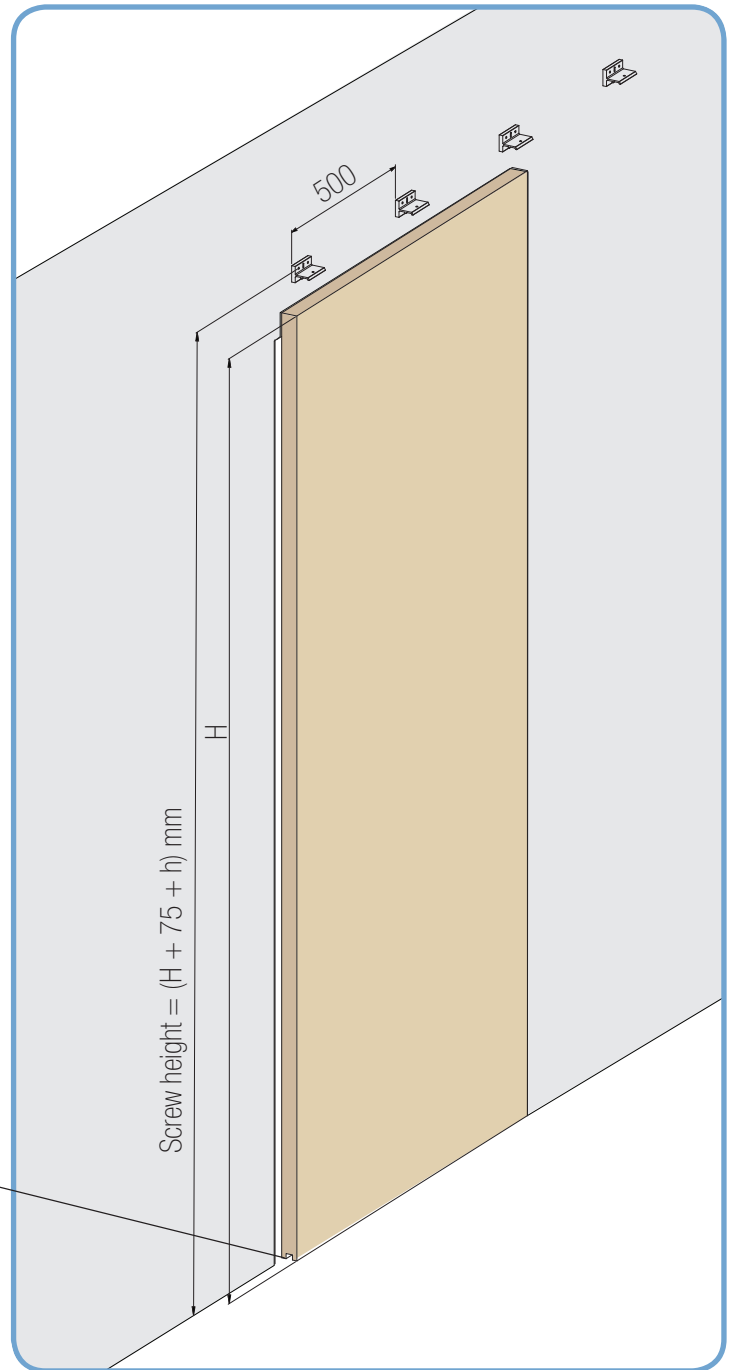
3

Mark a horizontal line at the other end by using a level.



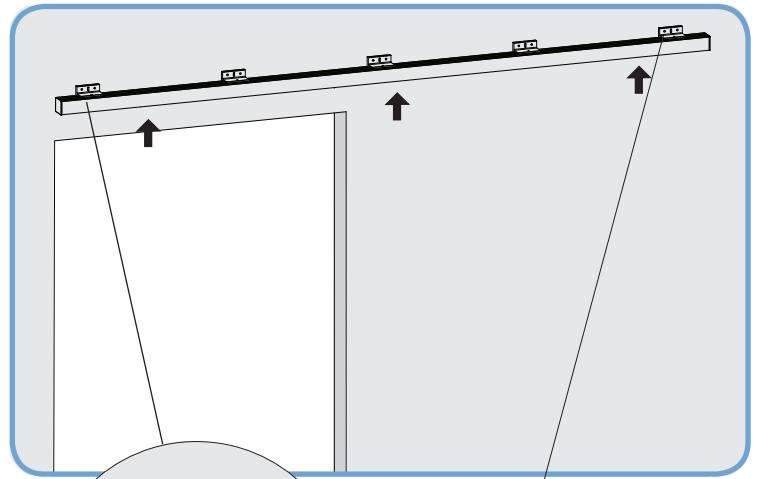
4 Slide all brackets to the track

Note! With ceiling mounting:
Attach part 3 "softclose set up pin"
(step 9) before mounting the track!



5

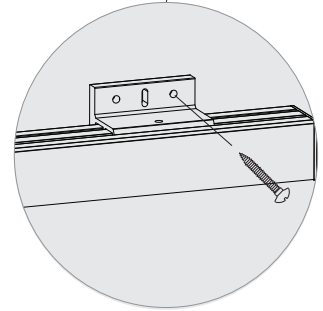
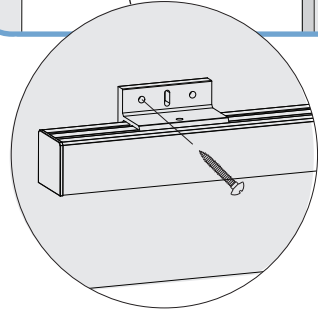
Lift track to its place



6

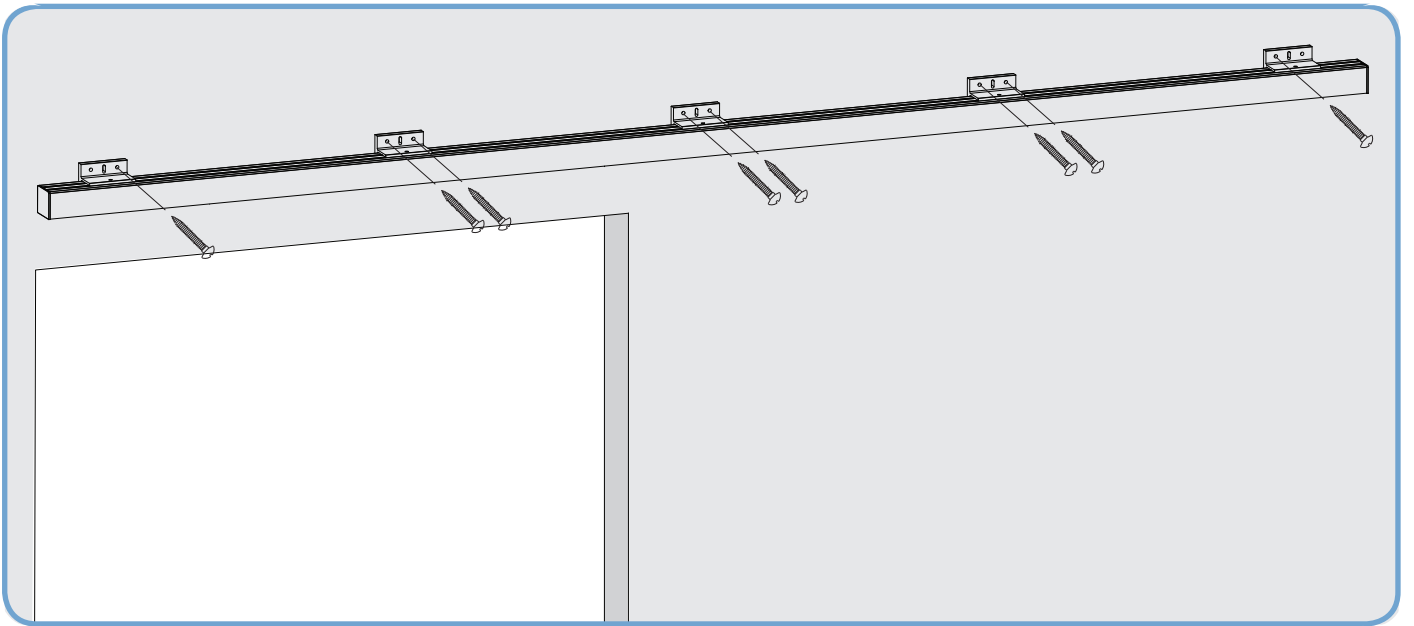
Mount the “closed-end” bracket with one screw so that the screw is on the line that was marked in section 2.

Repeat it with the “open-end” bracket.



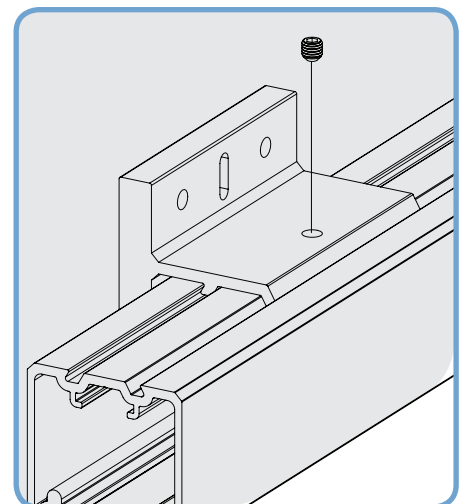
7

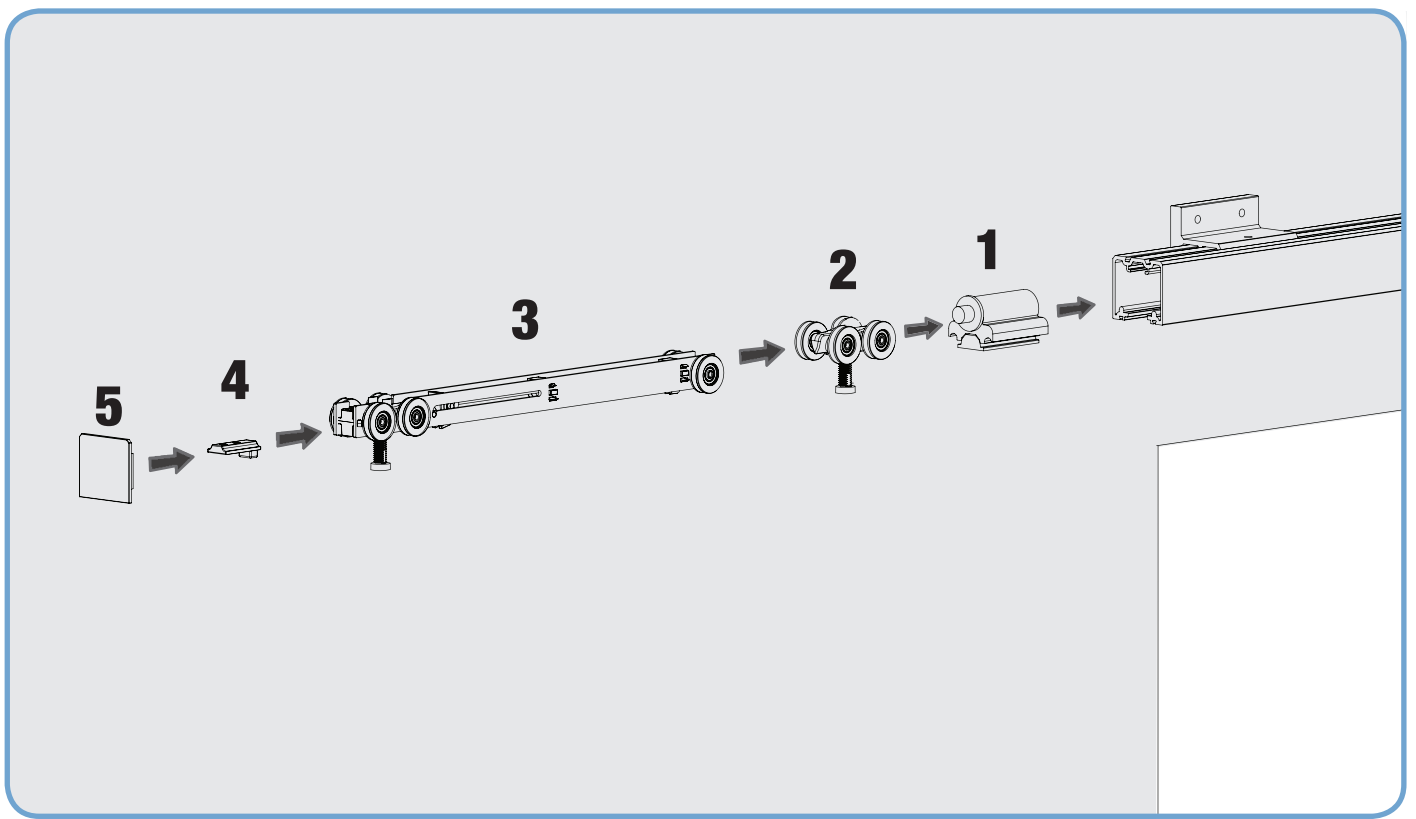
Mount all brackets equally spaced with two screws



8

Tighten the screws of the brackets.
Do not overtighten.

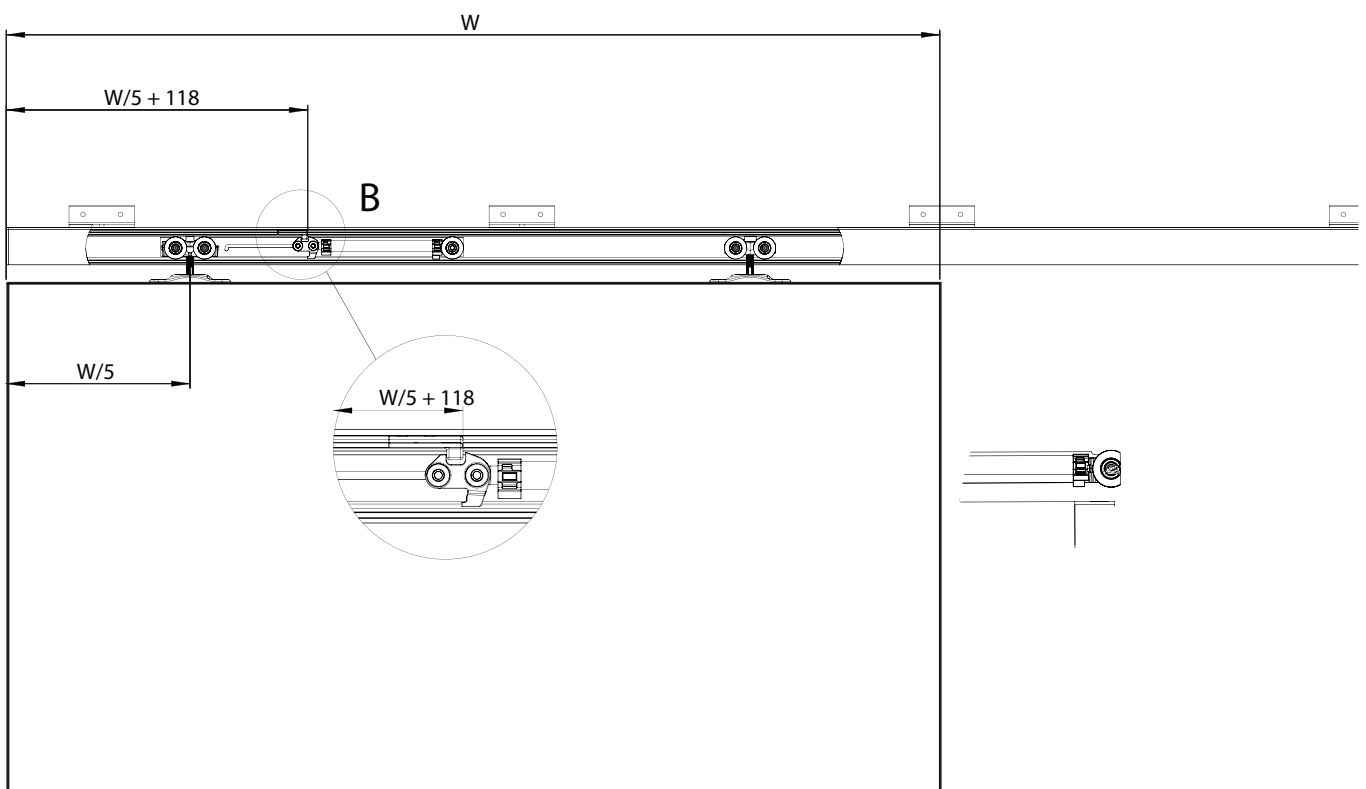




9 Slide in the following parts to the track:

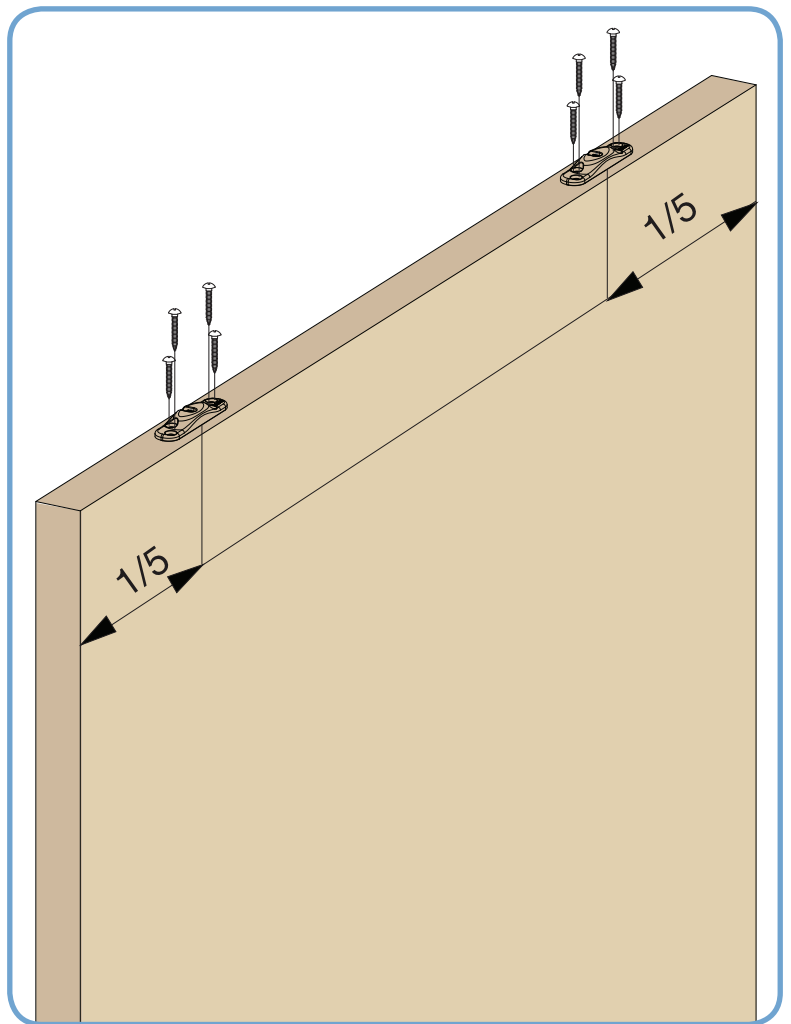
1. [STOP KP-150](#) to the “open-end” of the track. Tighten it gently to its place.
2. [SAGA150 HANGER](#)
3. [SOFTCLOSE SAGA150](#) NOTE: Make sure that the Softclose is set up.
4. [SOFTCLOSE SET UP PIN](#) so that the pin is towards the “open-end”.
5. [END CAPS](#)

10 The outermost end of the triggering key should be at a distance of $W/5 + 118$ from the closed door end position. Check the closing position of the door and adjust the triggering key if necessary. If closing force is desired, move the triggering key by 10 mm to the direction of the “closed end”.



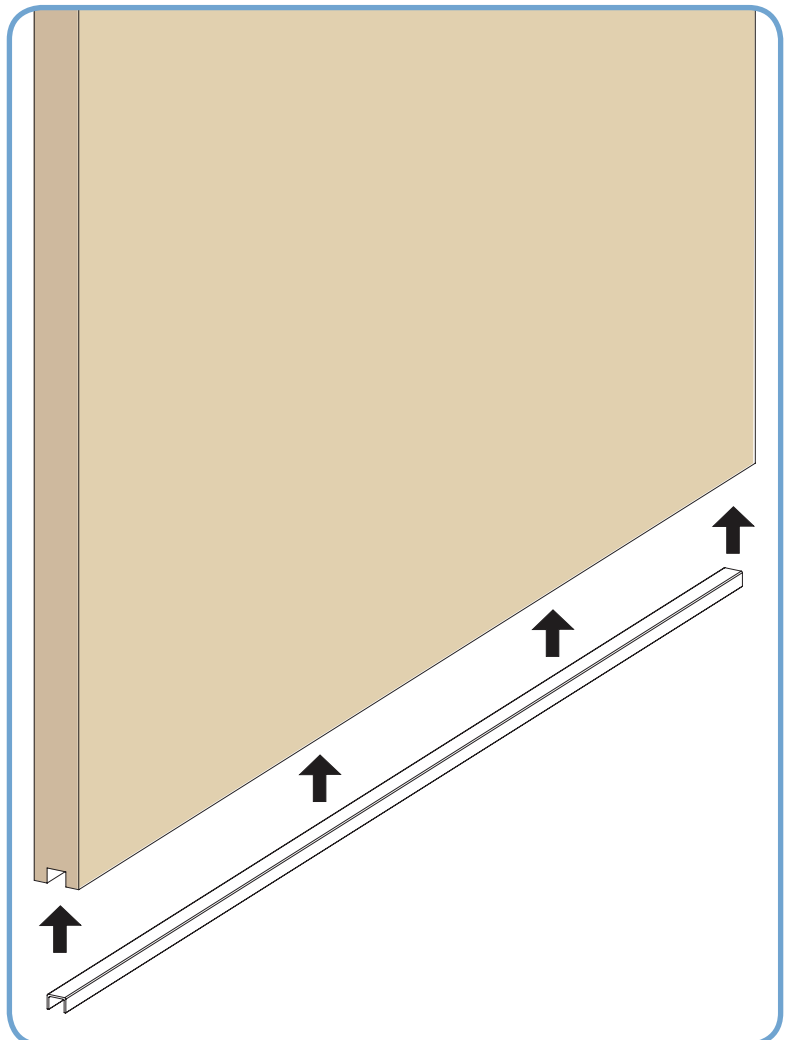
11

Attach the plates to the door $\frac{1}{5}$ of the door's width from the edge so that the slots of the bolts face the wall.



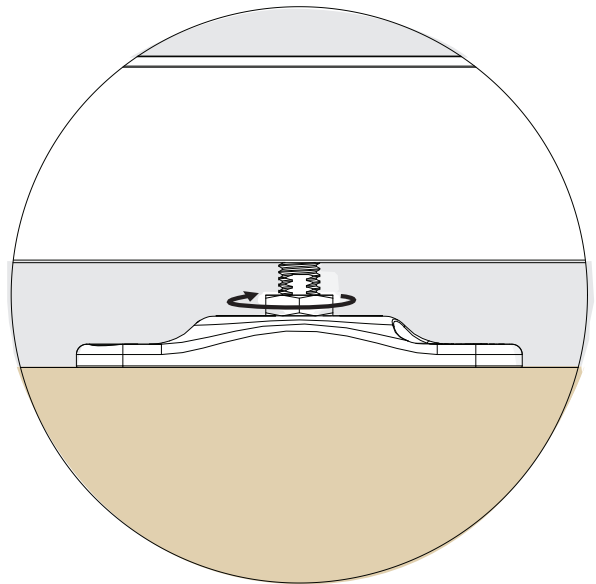
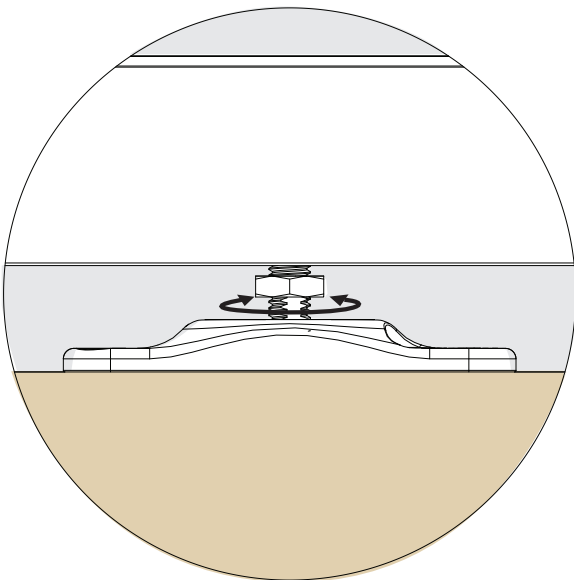
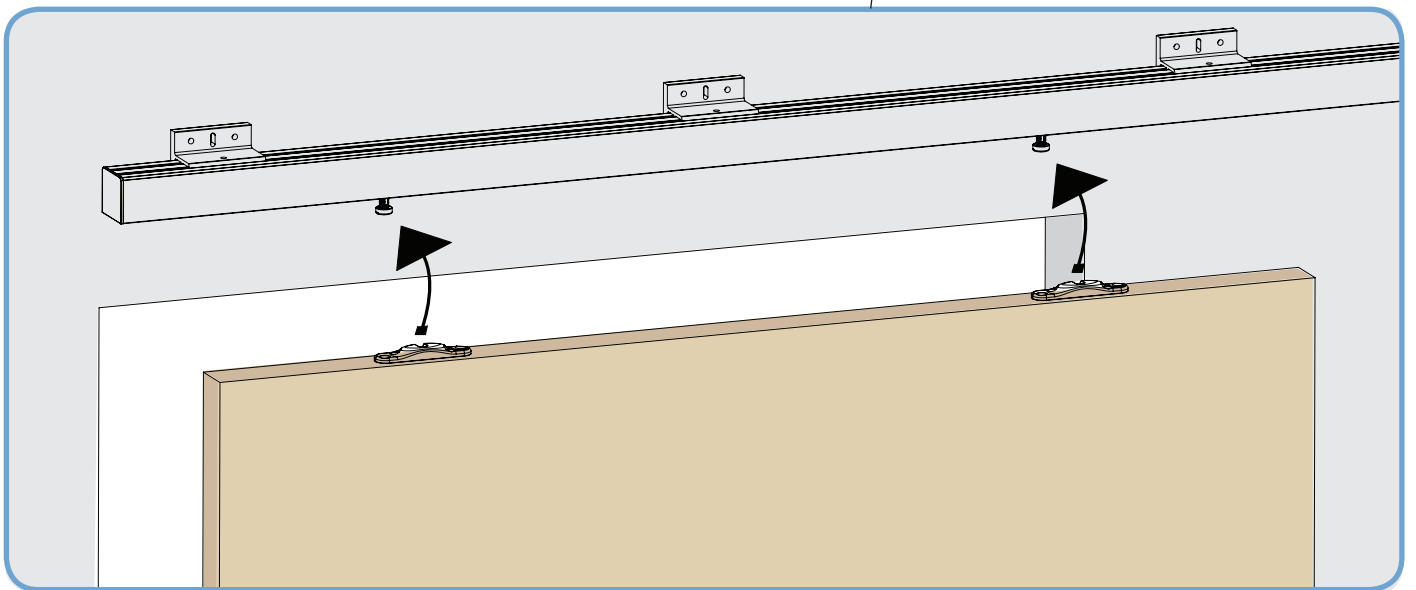
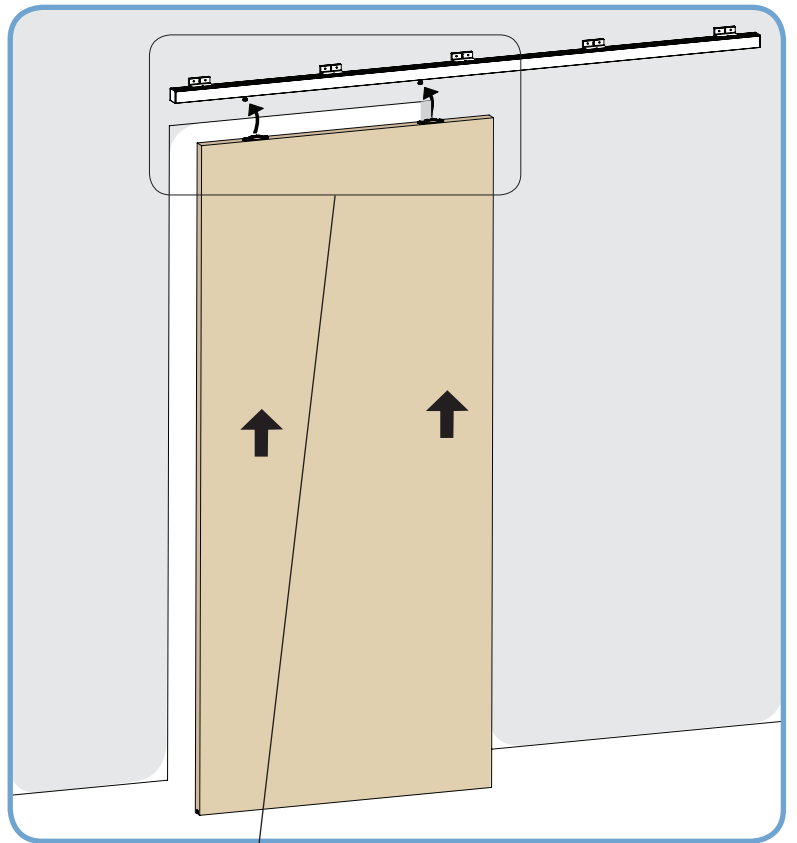
12

Insert the Bottom guide track AOK-10 to the channel machined into the door.

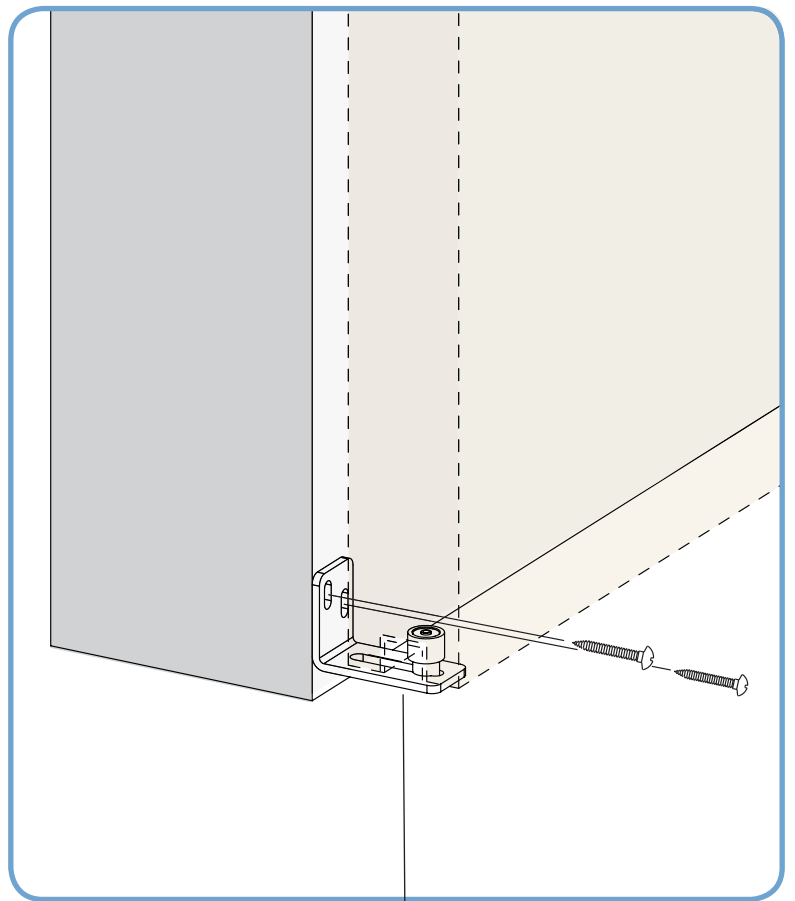


13

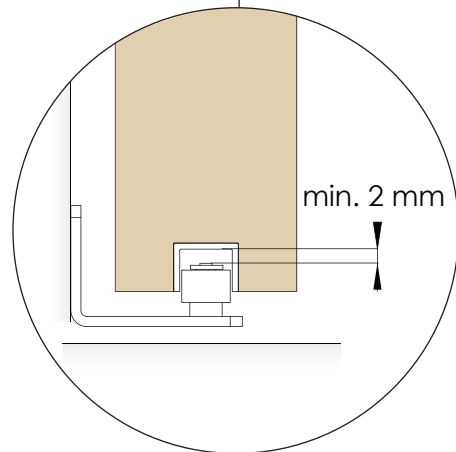
Lift the door to its place. Adjust the height and position of the door by turning the hanger bolts. Tighten the nuts on to the plates.



- 14** Install the bottom guide so that it is completely hidden when the door is at the “open end”.



There should be at least 2 mm space between the bottom guide and bottom guide track.



- 15** Adjust the Stop KP-150 so that it stops the door in the desired position at the “open end”.

- 16** Check that the door stops at the correct position and adjust the Soft close set up pin if necessary.