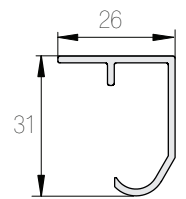


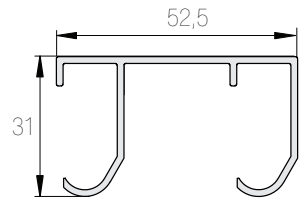
SLIDING TRACK PROFILES

- Track options categorized by series

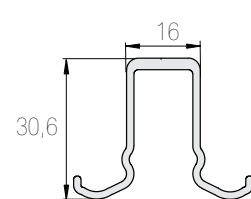
Aluminium tracks



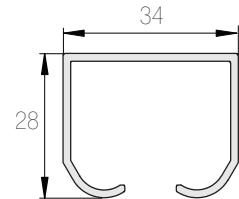
Series 30
K-30 (Al)
Capacity 45 kg



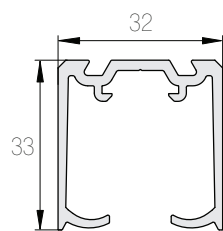
Series 40
K-40 (Al)
Capacity 45 kg



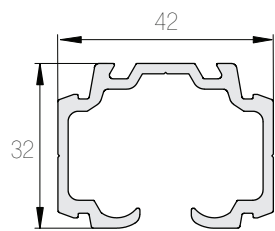
Series 60
K-60 (Al)
Capacity 45 kg



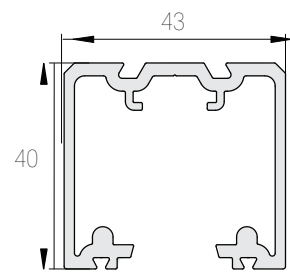
Series 75
K-75 Junior (Al)
Capacity 50 kg



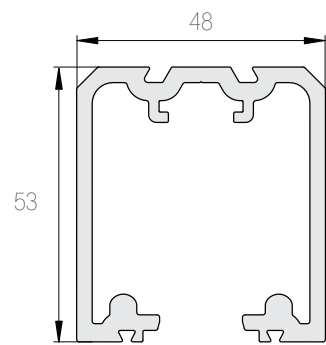
Series 75
K-75 Flow (Al)
Capacity 100 kg



Series 75
K-75 P (Al)
Capacity 100 kg

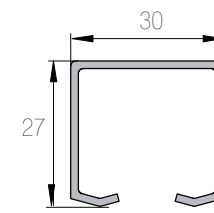


Series SAGA
K-150/SAGA (Al)
Capacity 150 kg

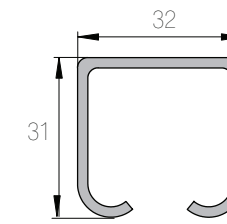


Series SAGA
K-300/SAGA (Al)
Capacity 300 kg

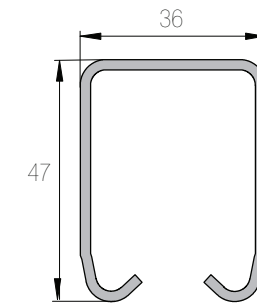
Galvanized steel tracks



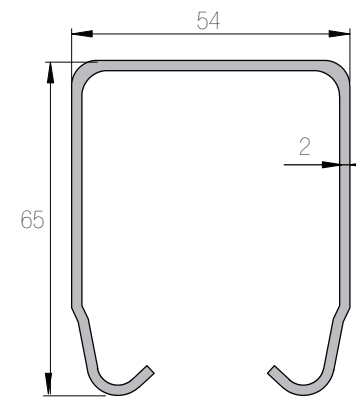
Series 75
K-75
Capacity 100 kg



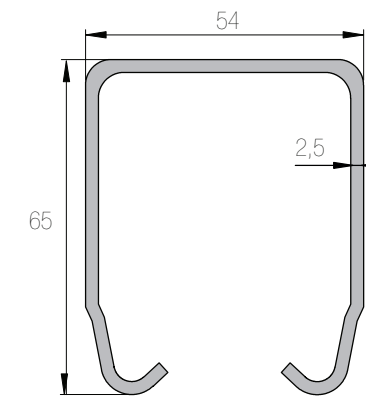
Series 100
K-100
Capacity 120 kg



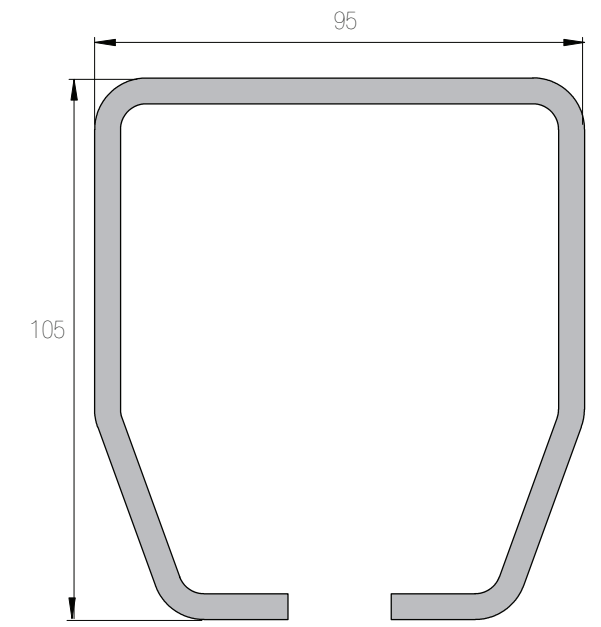
Series 150
K-150
Capacity 200 kg



Series 300
K-300
Capacity 300 kg



Series 500
K-500
Capacity 1200 kg



Series 2000
K-2000
Capacity 2000 kg